



BELLE  
LIGHT  
CONSTRUCTION  
EQUIPMENT



# FLOATS & TOOLS

## CONCRETE FINISHING EQUIPMENT

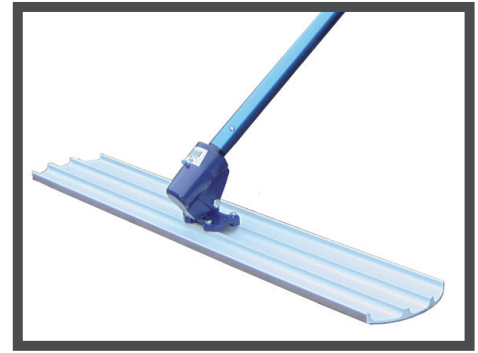


BELLE  
LIGHT  
CONSTRUCTION  
EQUIPMENT



## FEATURES & BENEFITS

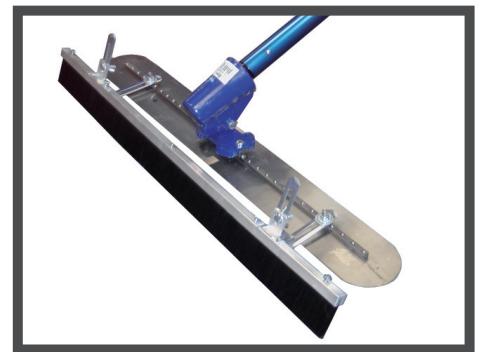
- **Fresno Broom** - Pushed over concrete to improve surface consistency then pulled to apply brush finish.
- **Easy Bull Float** - A lightweight magnesium alloy blade with reinforcement to prevent warping.
- **Big Blue Float** - A tempered 'blue' steel blade that achieves an ultra fine finish.
- **Concrete Placer** - Reduces the effort required by using conventional rakes and shovels
- **Concrete Rake** - A special 'rake' style tool that makes it easy to drag concrete when slab pouring.



**EASY BULL FLOAT**



**BIG BLUE FLOAT**



**FRESNO BROOM**

## TECHNICAL SPECIFICATIONS

### Easy Bull Float c/w swivel and handles

Part No.	Width (mm)	Length (mm)	Total Handle Length (m)	Thickness (mm)	Weight (kg)
50901	200	1215	5.4	5 Wall / 19	9.6

### Easy Bull Float c/w swivel (no handles)

Part No.	Width (mm)	Length (mm)	Total Handle Length (m)	Thickness (mm)	Weight (kg)
20.3.006	200	1215	N/A	5 Wall / 19	6.0

### Big Blue Float c/w swivel and handle

Part No.	Width (mm)	Length (mm)	Total Handle Length (m)	Thickness (mm)	Weight (kg)
50903	302	1222	5.4	1.04	14.7

### Big Blue Float c/w swivel (no handles)

Part No.	Width (mm)	Length (mm)	Total Handle Length (m)	Thickness (mm)	Weight (kg)
50.3.005	302	1222	N/A	1.04	11.1

### Fresno Broom c/w swivel and handles

Part No.	Width (mm)	Length (mm)	Total Handle Length (m)	Thickness (mm)	Weight (kg)
50905	125	915	5.4	1.05	8.4

### Fresno Broom c/w swivel (no handles)

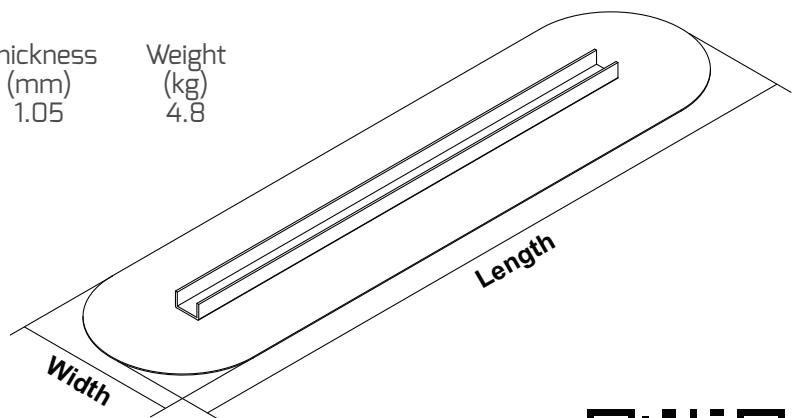
Part No.	Width (mm)	Length (mm)	Total Handle Length (m)	Thickness (mm)	Weight (kg)
50.3.008	125	915	N/A	1.05	4.8

### Concrete Placer

Part No.	Width (mm)	Depth (mm)	Weight (kg)
50.9.005	495	115	2

### Concrete Rake

Part No.	Width (mm)	Depth (mm)	Weight (kg)
50.9.007	570	130	2



**BELLE**  
LIGHT  
CONSTRUCTION  
EQUIPMENT

ALTRAD BELLE  
Sheen, Nr. Buxton, Derbyshire, SK17 0EU, GB  
Tel. +44 (0)1298 84606 - Fax +44 (0)1298 84722 - Email: sales@altrad-belle.com  
[www.Altrad-Belle.com](http://www.Altrad-Belle.com)  
[www.ALTRAD-Belle247.com](http://www.ALTRAD-Belle247.com)

